



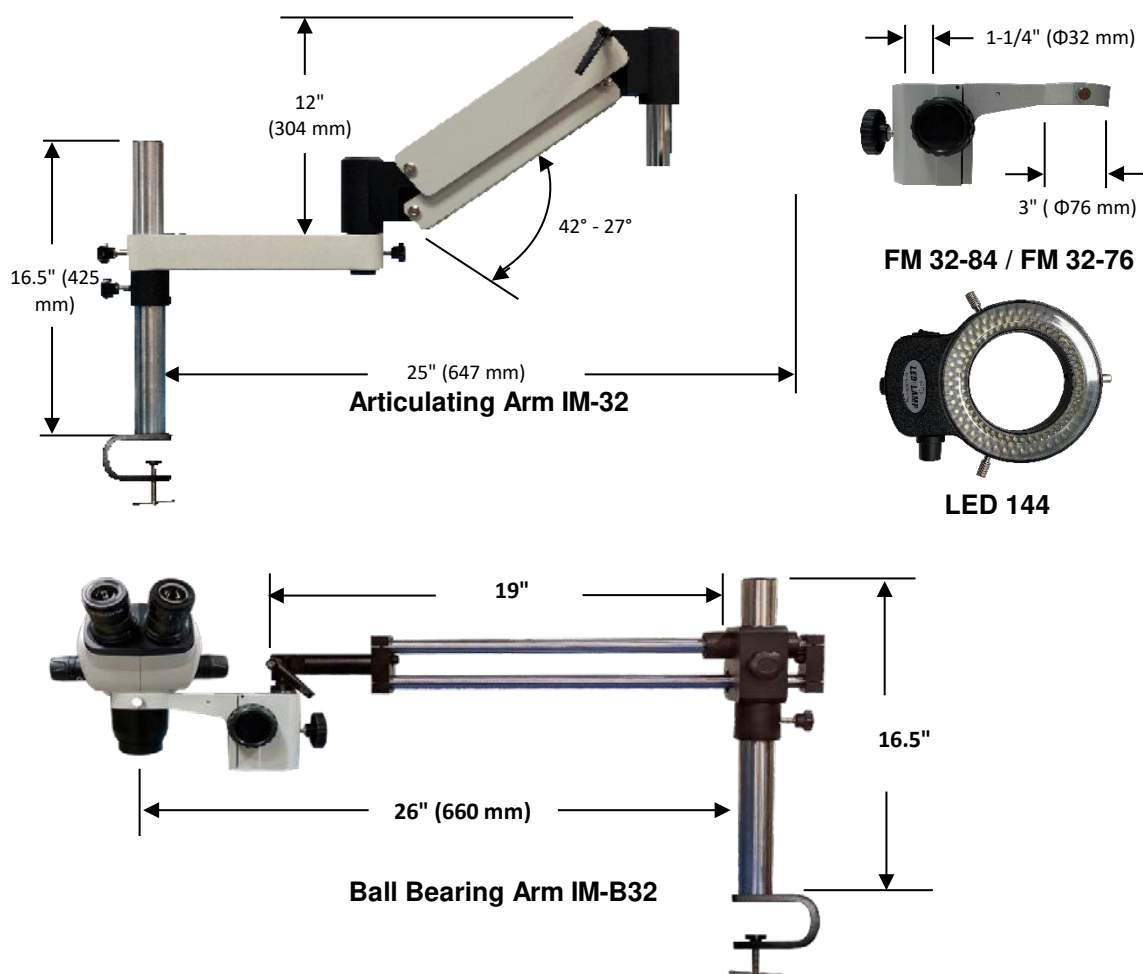




	I-22	I-23	I-65	I-68
Optical System				
Category	Affordable solution with solid construction	high quality optics in a compact design	Ideal for inspection, assembly, and measurements	High resolution optics with comfortable observation
Zoom Ratio	6.5:1	6.5:1	6.5:1	6.8:1
Zooming Range 10x Eyepiece	7 - 45x	7 - 45x	7 - 45x	7 - 47x
Eyepiece	SWF10x / 20 mm	SWF10x / 22 mm	SWF10x / 22 mm	SWF10x / 23 mm
Distance Adjustment	2" - 3" (55 - 75 mm)	2" - 3" (55 - 75 mm)	2" - 3" (50 - 75 mm)	2" - 3" (50 - 75 mm)
Viewing Head	Eyepiece inclination: 45°	Eyepiece inclination: 45°	Eyepiece inclination: 40°	Eyepiece inclination: 35°
Working Distance 1X Lens	4.25" (108 mm)	4.25" (108 mm)	4.25" (108 mm)	4.25" (108 mm)
Working Distance 0.5X Lens	6" (156 mm)	6" (156 mm)	7.25" (184 mm)	7.25" (184 mm)
Included Accessories	<ul style="list-style-type: none"> <li>* 0.5 mm lens</li> <li>* IM-A32 arm</li> <li>* 144 LED Ring Light</li> <li>* Focus block FM-32-76</li> </ul>	<ul style="list-style-type: none"> <li>* 0.5 mm lens</li> <li>* IM-A32 arm</li> <li>* 144 LED Ring Light</li> <li>* Focus block FM-32-84</li> </ul>	<ul style="list-style-type: none"> <li>* 0.5 mm lens</li> <li>* IM-A32 arm</li> <li>* 144 LED Ring Light</li> <li>* Focus block FM-32-76</li> </ul>	<ul style="list-style-type: none"> <li>* 0.5 mm lens</li> <li>* IM-A32 arm</li> <li>* 144 LED Ring Light</li> <li>* Focus block FM-32-76</li> </ul>

## Optional Accessories



Specifications	
Model	IM-A32
Hanging bar	1-1/4" (Φ32 mm)
horizontal extension	33" (838 mm)
Vertical extension	23" (590 mm)
Movement	Gas spring
Construction	Aluminum, steel
Table clamp clearance	2" (54 mm)
Stow area	4" x 17"
Articulating Arm IM-32A	
Ball Bearing Arm IM-B32	
Focus Block FM 32-84 and FM 32-76	
LED 144	
Bolt Down Base Mount IM-32BD	
Table Stand IM-32B	

